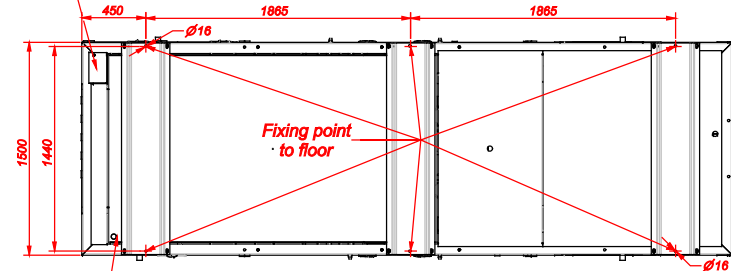


STANDARD FRAME

Lifting point D (1 : 25)

Power connection

Air inlet



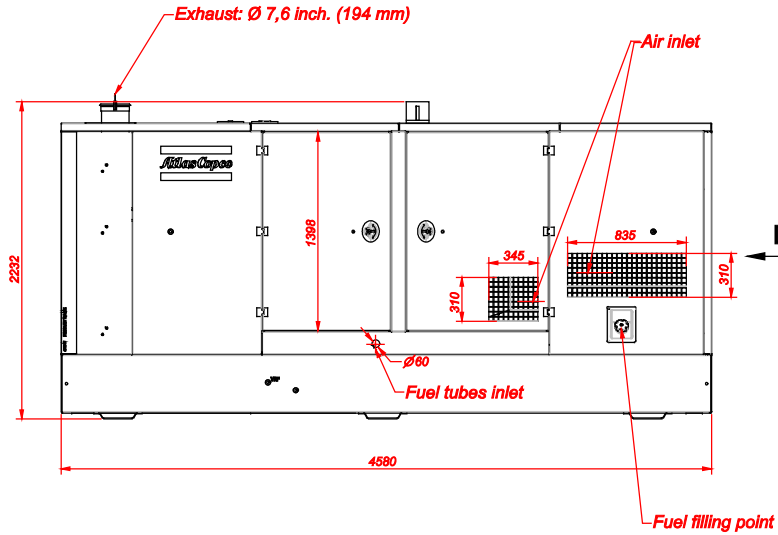
Fixing point to floor

Fuel tank drain (1inch)

Controller

Emergency stop

Air inlet

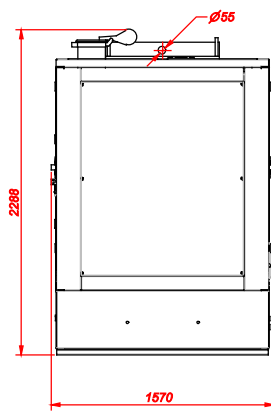


Exhaust: Ø 7,6 inch. (194 mm)

Air inlet

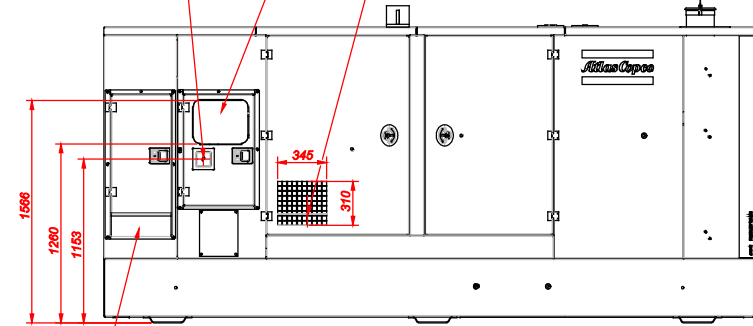
Fuel tubes inlet

Fuel filling point

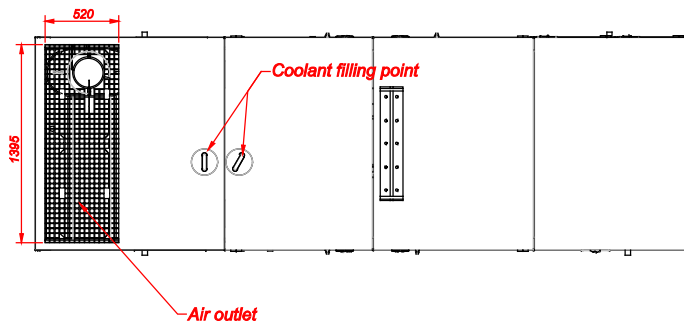
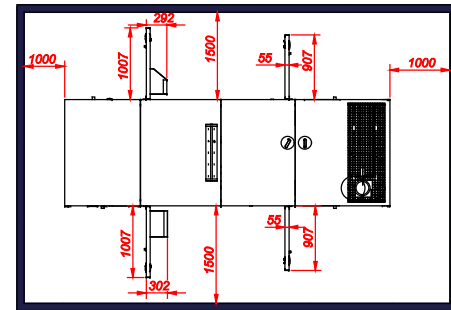


D

Power connection



MAINTENANCE SPACE (1 : 50)



Coolant filling point

Air outlet

CONFIDENTIAL: This drawing is for internal use only. It is not to be distributed outside the organization. It is not to be used for manufacturing or construction of other products or systems.

Ed	Position	Modified from	Date	Intr./Appd.
00				

1633034640	00
Parent 3D model	3D Model Edition

Tolerances, if not indicated, according to:		General tolerances	
		1350K - mK	
Name		370515; XF1	
Material		Confidential	
Treatment		Thickness: INV	
Scale		Family	
A2/Compare		Blank nr.	
Drawn by		Replaces	
ESFIM			
Version		Blank wt.	
00		Kg	
Fini wt.		Kg	
STATUS		Designation	
Approved		Date	
Des. checked.		20/04/2017	
Prod. checked.		Approved.	
Designation		1633034640	
Sheet		1 / 9	



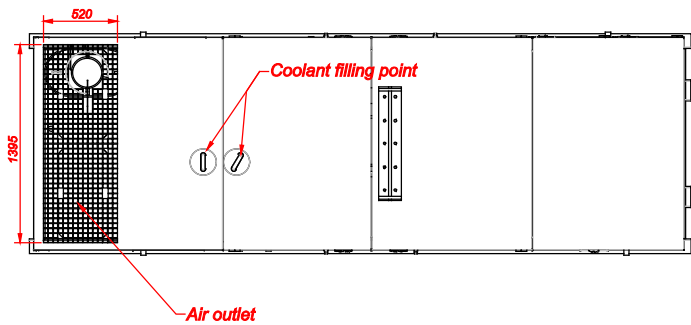
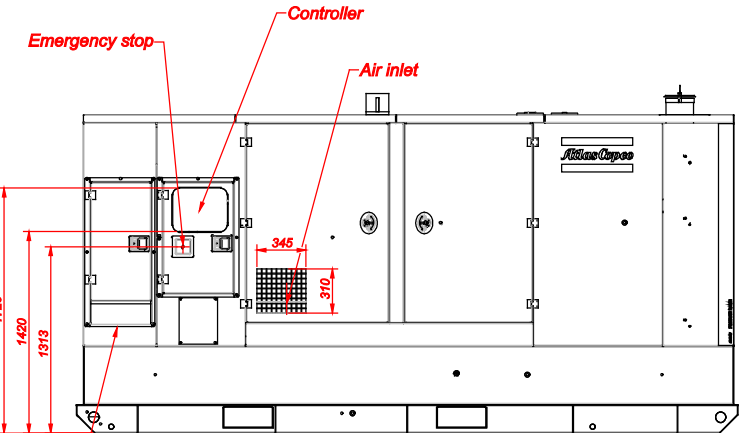
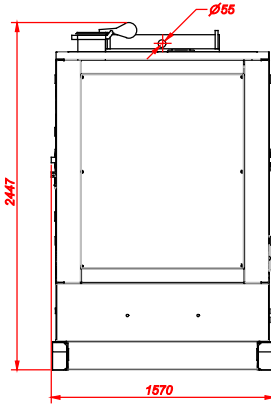
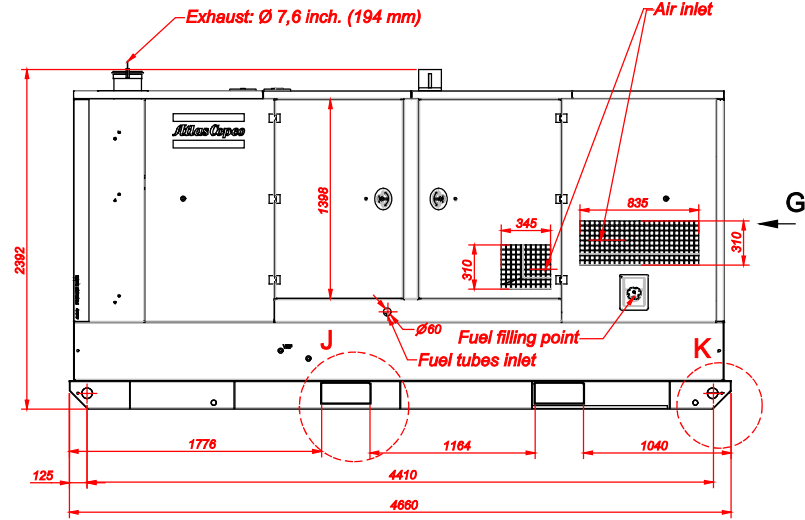
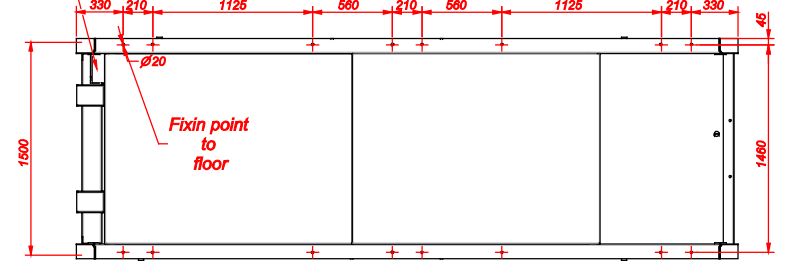
Drawing owner
ESF

SKID UNDERCARRIAGE

Lifting point G (1 : 25)

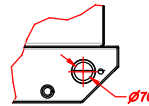
Power connection

Air inlet

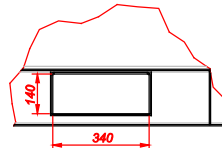


Power connection

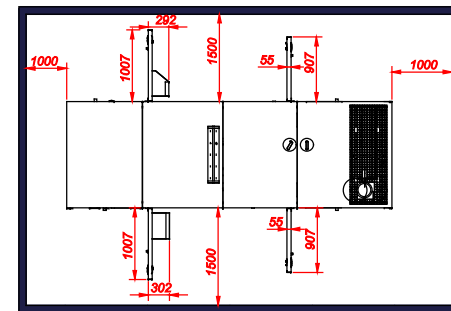
K (0,08 : 1)



J (0,08 : 1)



MAINTENANCE SPACE (1 : 50)



CONFIDENTIAL: This drawing is the property of Atlas Copco. It is not to be used for any other purpose without the written consent of Atlas Copco. All dimensions are in millimeters unless otherwise specified.

Ed	Position	Modified from	Date	Intr./Appd.
00				

1633034640	00
Parent 3D model	3D Model Edition

Tolerances, if not indicated, according to:					
Name	DIMENSION DRWG	370515; XF1	Confidentiality Class acc. to 1162 K	Confidential	
Material			Confidential	Drawing owner ESF	
Treatment			Thickness:	INV	
Scale	Family	A2/Compare	Replaces		
Drawn by	ESFIM	Blank nr.			
Version	Drwg 00	Blank wt.	Kg	Fini wt.	Kg
Desig.	1633034640	Designation		Date	20/04/2017
STATUS	Approved	Des. checked.	Prod. checked.	Approved.	Date
Sheet					2 / 9

HIGH CAPACITY SKID UNDERCARRIAGE

Lifting point H (1 : 25)

Power connection

Air Inlet

Fixing point to floor

Exhaust: Ø 7,6 Inch. (194 mm)

Air inlet

Emergency stop

Controller

Air Inlet

Fuel tubes inlet

Fuel filling point

MAINTENANCE SPACE (1 : 50)

Power connection

Coolant filling point

Air outlet

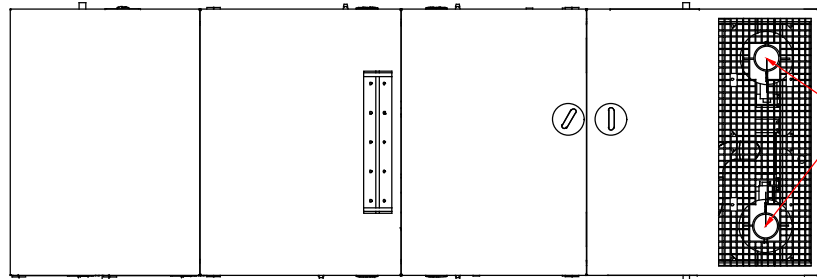
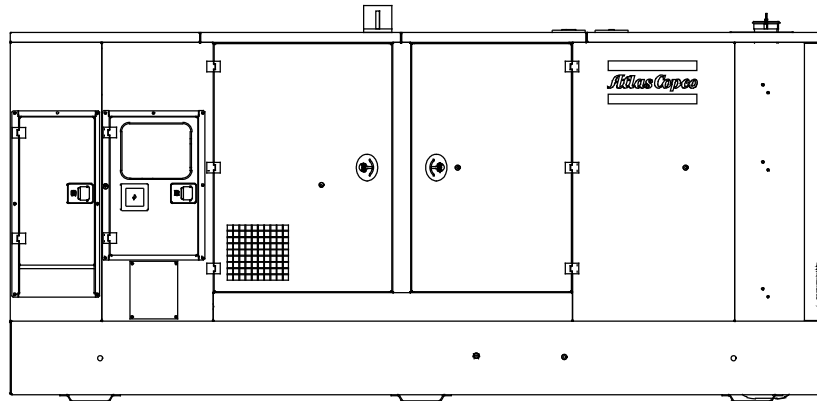
CONFIDENTIAL: This drawing and its contents are confidential and shall remain confidential. No part of this drawing may be reproduced or transmitted in any form or by any means electronic, mechanical, photocopying, recording, or by any information storage and retrieval system without the prior written permission of the manufacturer.

Ed	Position	Modified from	Date	Intr./Appd.
00				

1633034640	00
Parent 3D model	3D Model Edition

Tolerances, if not indicated, according to:									
Name	DIMENSION DRWG			370515; XF1			Confidentiality Class acc. to 1102 K		
Material							Confidential		
Treatment							Thickness: INV		
Scale	A2/Compare			Family			Drawing owner		
Drawn by	ESFIM			Blank nr.			Replaces		
Version	Drwg 00			Blank wt. Kg			Fini wt. Kg		
STATUS	Approved			Designation			Sheet 3 / 8		
Des. checked.	Prod. checked.			Approved.			Date 20/04/2017		
				1633034640					

SPARK ARRESTOR EXHAUST

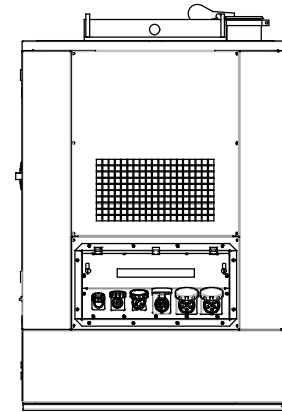


Double Exhaust: Ø 5 inch.

SOCKETS

- 2x125A 3P+N+T
- 63A 3P+N+T
- 32A 3P+N+T
- 16A 3P+N+T
- Schuko 16A 2P+T

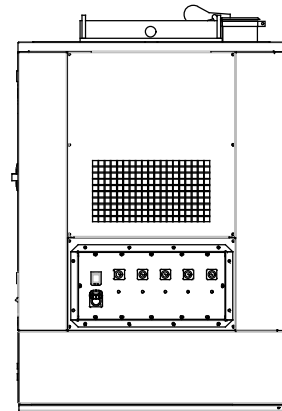
AVAILABLE WITH SKID UNDERCARRIAGE
AND
HIGH CAPACITY SKID UNDERCARRIAGE



POWER LOCKS

- 5x 660A Power lock
- Domestic socket RIM

AVAILABLE WITH SKID UNDERCARRIAGE
AND
HIGH CAPACITY SKID UNDERCARRIAGE



CONFIDENTIAL: This drawing is for internal use only. It is not to be used for manufacturing or other purposes without the written consent of the manufacturer.

Ed	Position	Modified from	Date	Intr./Appd.
00				

1633034640	00
Parent 3D model	3D Model Edition

Tolerances, if not indicated, according to:									
Name		DIMENSION DRWG			370515; XF1		Confidentiality Class acc. to 1162 K		
Material					Confidential				
Treatment					Thickness:		INV		
		Scale		Family		A2/Compare		Drawing owner	
Drawn by		ESFIM		Blank nr.		Replaces		ESF	
Version		Drwg 00		Blank wt. Kg		FRI wt. Kg		Designation	
STATUS		Approved		Date		20/04/2017		Sheet 4 / 9	
Des checked.		Prod checked.		Approved.		Date		1633034640	